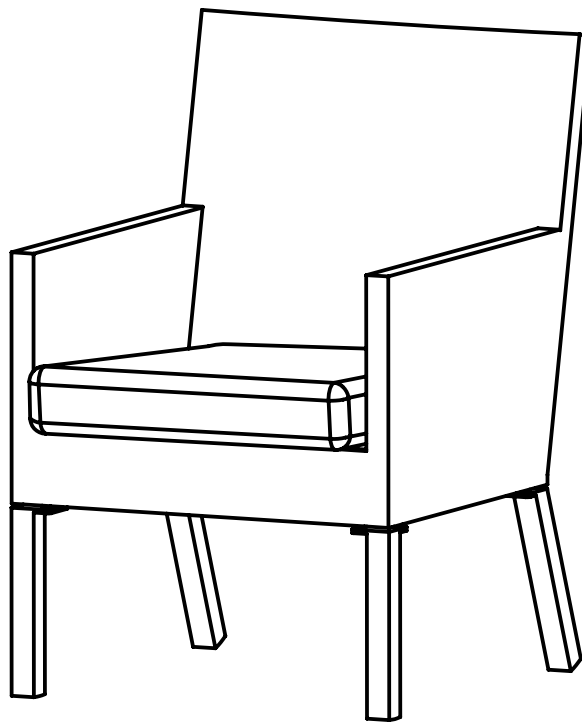


Item # 1005 045 427
Model # FRS60752B-2PKBA

HAMPTON BAY®

USE AND CARE GUIDE

FERNLAKE STEEL WICKER DINING CHAIR - BARE, 2PK



Questions, problems, missing parts? Before returning to the store,
call Hampton Bay Customer Service.
8 a.m. - 7 p.m., EST, Monday - Friday, 9 a.m. - 6 p.m., EST, Saturday

1-855-HD-HAMPTON

HAMPTONBAY.COM

THANK YOU

We appreciate the trust and confidence you have placed in Hampton Bay through the purchase of this dining chair. We strive to continually create quality products designed to enhance your home. Visit us online to see our full line of products available for your home improvement needs. Thank you for choosing Hampton Bay!

Table of Contents

Table of Contents	2	Pre-Assembly	3
Important Safety Instructions	2	Planning Assembly	3
Save These Instructions	2	Hardware Included	3
Read All Instructions Before Use	2	Chair Package Contents	4
Warranty	3	Chair Assembly	5
What is Covered	3	Care and Cleaning	6
What is Not Covered	3		

Important Safety Instructions

SAVE THESE INSTRUCTIONS



WARNING: This dining chair was made for the explicit purpose of providing outdoor functions and is not to be used as a toy. This product is intended for normal outdoor use; however, the manufacturer recommends storing and / or covering this product when any formidable / severe weather is approaching.



WARNING: Do not locate this product near open flames. Do not use this product as a support. Do not shake, lean or climb on the product. Children under the age of 10, near the product, should be supervised by a competent adult at all times. This product is NOT intended for commercial use and will void the warranty.

READ ALL INSTRUCTIONS BEFORE USE

To reduce the risk of injury to persons:

1. Close supervision is necessary when this product is used by or near children, or disabled persons, if applicable.
2. Use this product only for its intended use as described in these instructions. Do not use attachments not recommended by the manufacturer.
3. Do not move the chairs while the chairs are occupied. Failure to obey this caution could result in injury.
4. Do not rock in the chair as you may fall and cause serious injury.
5. Please keep children out of the assembly area before assembly.



WARNING: Weight limit for the chairs is 250 lbs (113.39 kg) for each seat.



WARNING: Do not place heavy objects on the chairs.



CAUTION: When not in use, secure the product in a cool and covered location.

Warranty

3 YEAR FRAME LIMITED WARRANTY

WHAT IS COVERED

We warrant the frames to be free of manufacturing defects to the original purchaser for three years.

WHAT IS NOT COVERED

It remains the customer's responsibility for freight and packaging charges to and from our service center. This warranty does not cover commercial use, hardware, acts of nature, fire, freezing and abusive use. In addition, purchased parts are not covered under this warranty. We reserve the right to make substitutions with similar merchandise, if the model in question is no longer in production.

Contact the Customer Service Team at 1-855-HD-HAMPTON or visit www.HamptonBay.com.

Pre-Assembly

PLANNING ASSEMBLY

Read all instructions before assembly.

To avoid damaging this product, assemble it on a soft, non-abrasive surface such as carpet or cardboard.



NOTE: More than one person may be required to assemble this product.

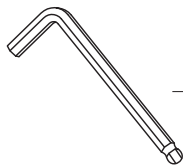
HARDWARE INCLUDED



NOTE: Hardware not shown to actual size.



AA

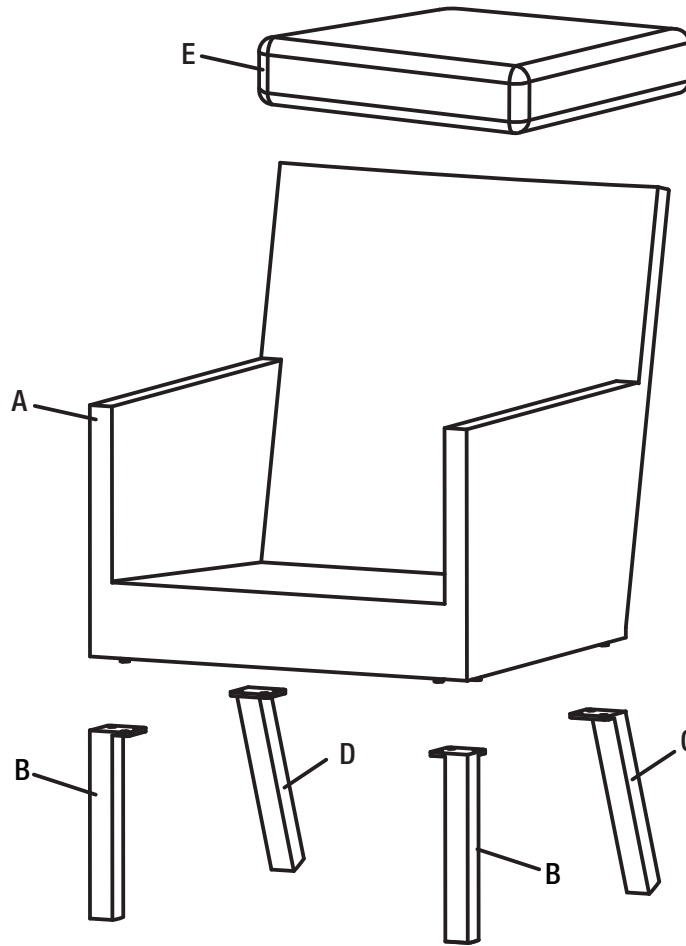


BB

Part	Description	Quantity
AA	M6x20 combination bolt	24+1
BB	Hex wrench	1

Pre-Assembly (continued)

CHAIR PACKAGE CONTENTS



Part	Description	Quantity
A	Seat	2
B	Front Leg	4
C	Left Rear Leg	2
D	Right Rear Leg	2
E	Seat Cushion	2

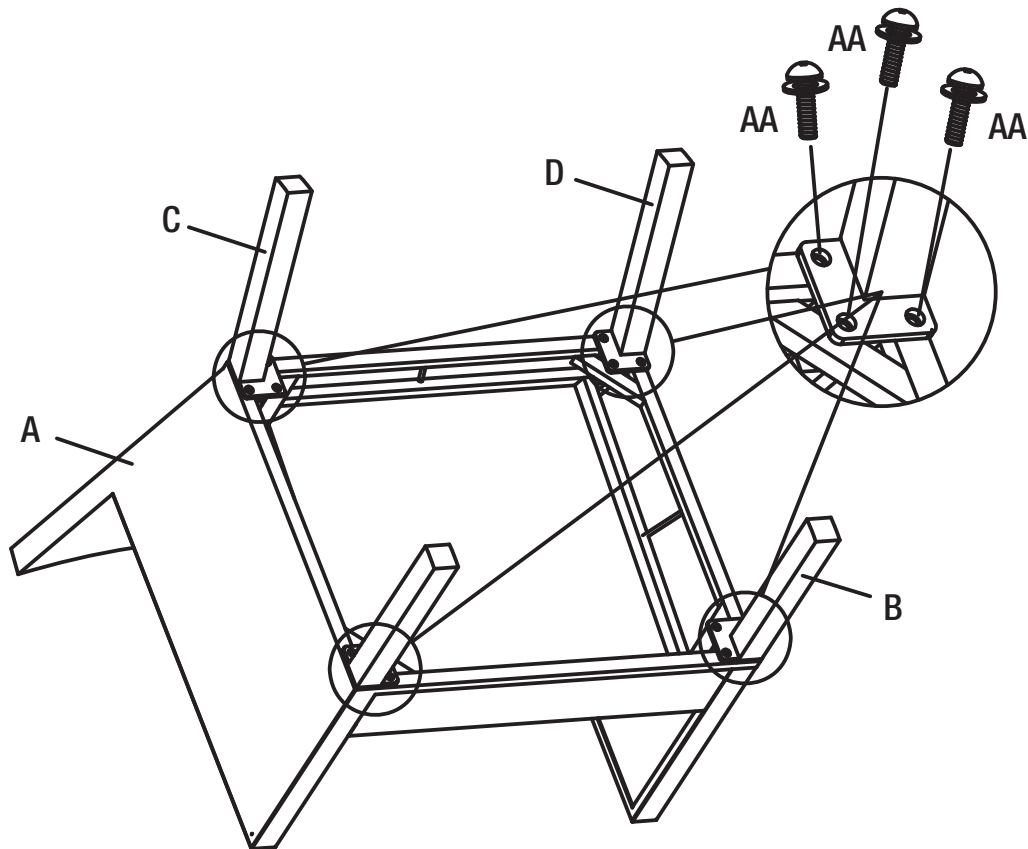
Chair Assembly

1 ATTACHING THE FRONT LEG, LEFT REAR LEG AND RIGHT REAR LEG TO THE SEAT

- Place the seat (A) upside down on a soft surface.
- Attach the front leg (B), left rear leg (C), and right rear leg (D) to the seat (A) using M6x20 combination bolt (AA).



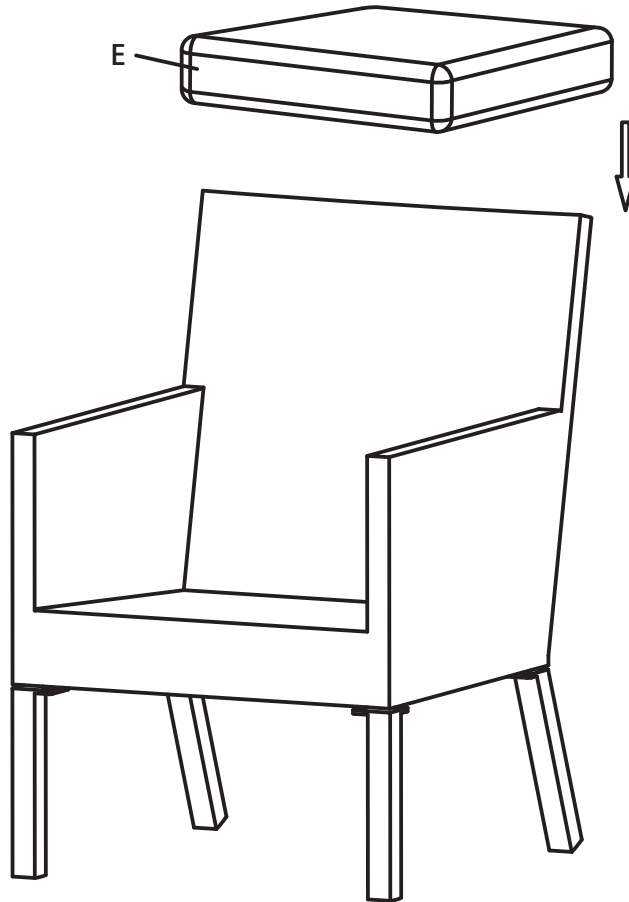
NOTE: Loosely tighten all bolts using the hex wrench (BB).



Chair Assembly (continued)

2 TIGHTENING ALL BOLTS AND PUT THE SEAT CUSHION ON THE CHAIR

- Once all of the bolts are in place, fully tighten all the bolts using hex wrench (BB).
- Turn the chair right side up.
- Put the seat cushion (E) on the chair.
- Ensure all connections are secure before use.



Care and Cleaning

- For best results, clean the frame and cushions with a damp cloth and dry thoroughly. This will help prevent mildew by removing dirt particles that may accumulate.
- Do not clean with abrasive materials, bleach, or solvents.
- Store the chair in a dry, sheltered place when not in use.
- Keep the chair away from fire, extreme heat, freezing conditions, and inclement weather such as rain, hail, sleet, snow, or wind.

HAMPTON BAY[®]

Questions, problems, missing parts? Before returning to the store,
call Hampton Bay Customer Service.
8 a.m. - 7 p.m., EST, Monday - Friday, 9 a.m. - 6 p.m., EST, Saturday

1-855-HD-HAMPTON

HAMPTONBAY.COM

Retain this manual for future use.

For certification use only

Factory chair ID # FRS60752B
